

NOTES:

1. VEHICLE REQUIRES A MINIMUM TURNING RADIUS OF 12.8m.
2. BACKING OUT ONTO A PUBLIC THOROUGHFARE OR EXCESSIVE MANEUVERING OF COLLECTION VEHICLE IS NOT PERMITTED.

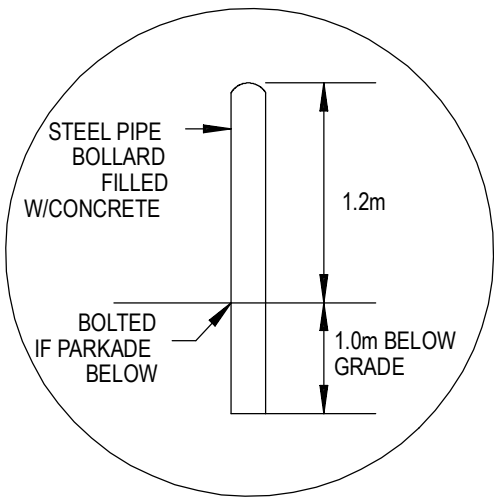
DISCLAIMER:

THIS INFORMATION IS ONLY AN EXAMPLE OF A TYPICAL FRONT END LOADER COLLECTION VEHICLE. WHEN A VEHICLE WITH DIFFERENT DIMENSIONS IS SPEC'D, DETAILS WILL BE REQUIRED AS OTHER VEHICLES HAVE DIFFERENT REQUIREMENTS.

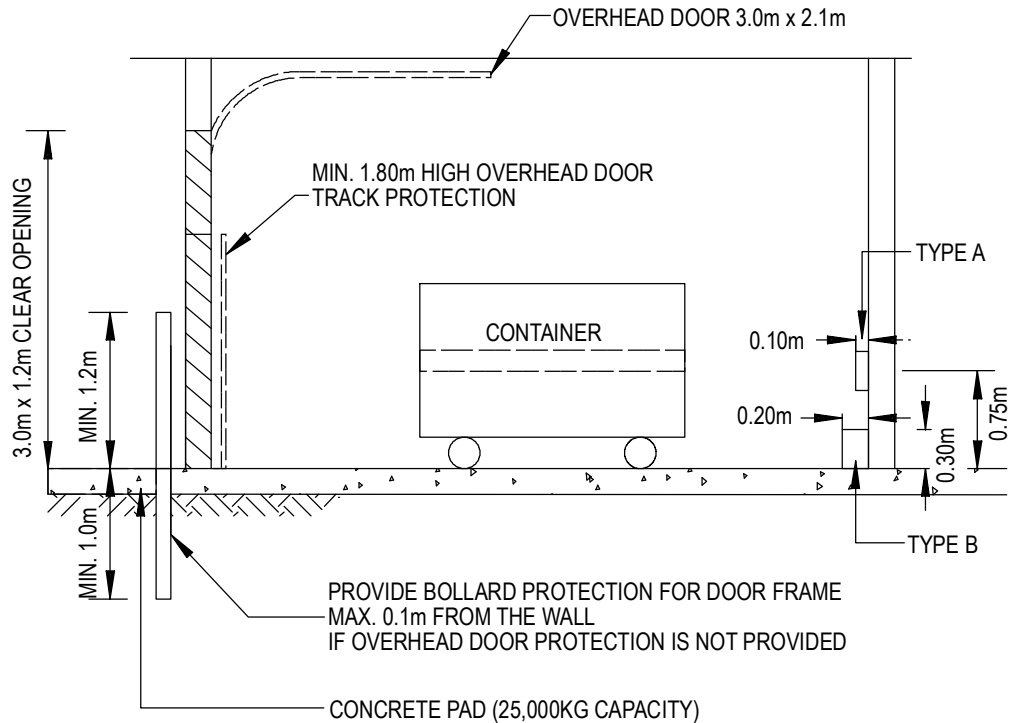


WASTE COLLECTION VEHICLE FRONT END LOADER

Sheet: 1	Revision: 2
Scale: Not to Scale	
Drawing No.: 420-5170-001	
Date: May 24, 2017	



BOLLARD DETAIL EXAMPLE



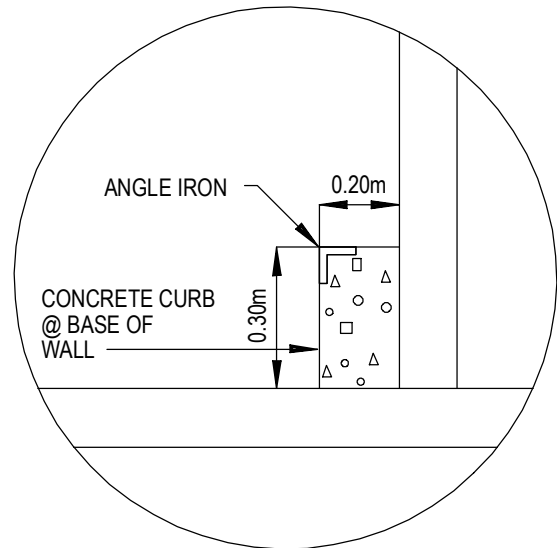
LOCATIONS OF DIFFERENT TYPES OF PROTECTION

TYPE A: (WALL PROTECTION) OPTIONS

1. STEEL CHANNEL, 0.1m FROM THE WALL, OVER A CONTINUOUS HORIZONTAL SOLID WOOD BLOCKING WITH A SOLID WOOD BLOCKING BEHIND THE FRAME WALL.
2. REBAR OR HSS, 0.1m FROM EACH WALL/SIDE ATTACHED:
 - TO THE WALL
 - TO THE POSTS HOLDING UP THE SIDES OF THE ENCLOSURE
 - TO BOLLARDS WITHIN THE ENCLOSURE/ROOM
3. ANYTHING ELSE ABLE TO WITH STAND THE IMPACT OF A FULLY LOADED CONTAINER WITHOUT DAMAGE.

TYPE B: (FLOOR PROTECTION) OPTIONS

1. A CONCRETE CURB, 0.3m TALL AND 0.2m WIDE LOCATED AROUND THE INTERIOR PERIMETER OF THE FACILITY WITH AN ANGLE IRON CAPPING THE CONCRETE CORNER/EDGE.
2. WHEEL STOPS THAT ARE A MINIMUM OF 0.3m TALL AND 0.2m WIDE AND ATTACHED TO THE GROUND.
3. BOLLARDS SPACED SO THE CONTAINER CANNOT HIT THE WALL EITHER STRAIGHT ON OR DIAGONALLY WHEN ON WHEELS.



TYPE B EXAMPLE

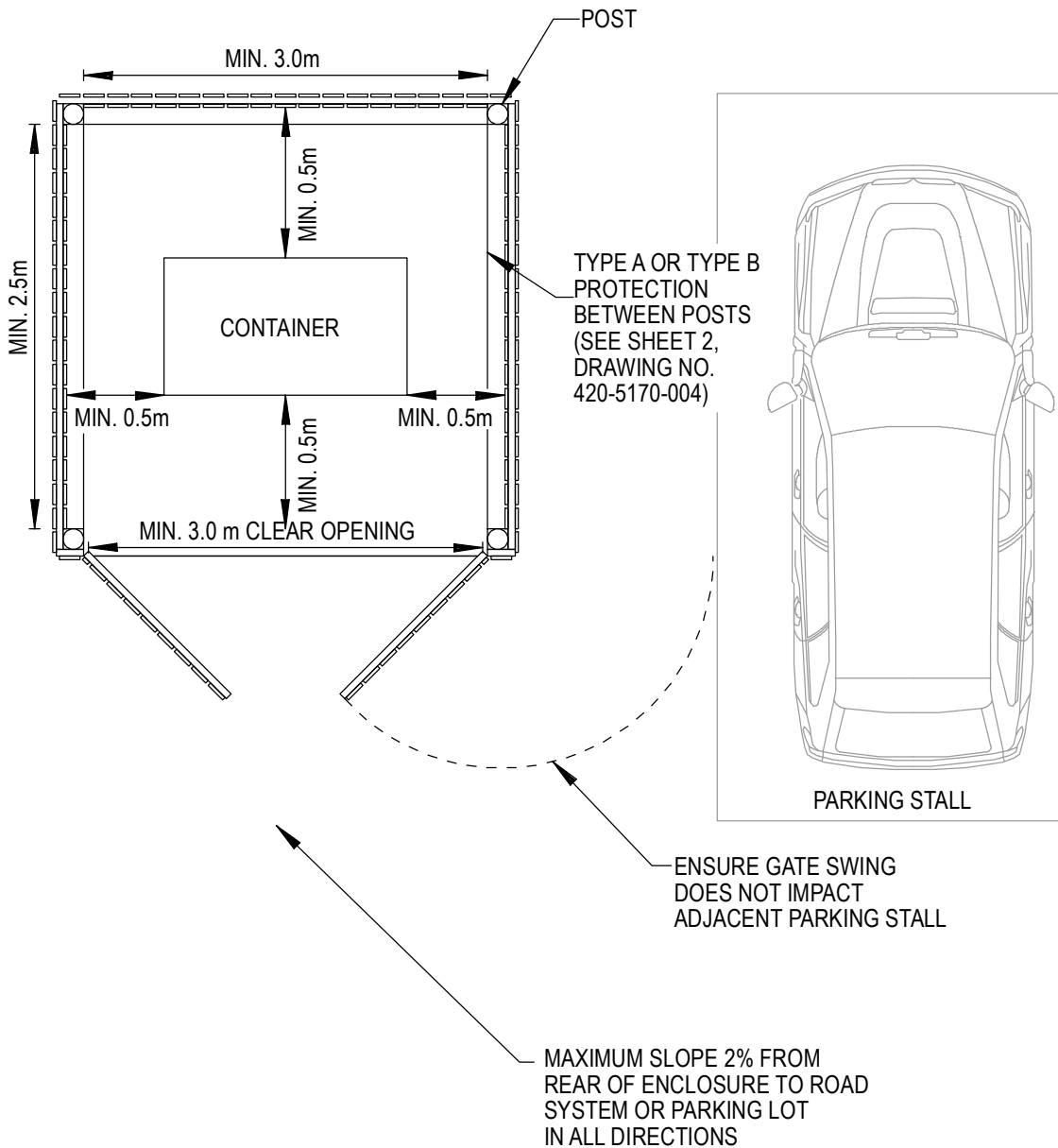
NOTE:

1. EITHER TYPE A OR TYPE B PROTECTION IS REQUIRED TO ENSURE THAT THE CONTAINER(S) DO NOT COME INTO CONTACT WITH THE ADJACENT WALLS OF THE ENCLOSURE / ROOM.



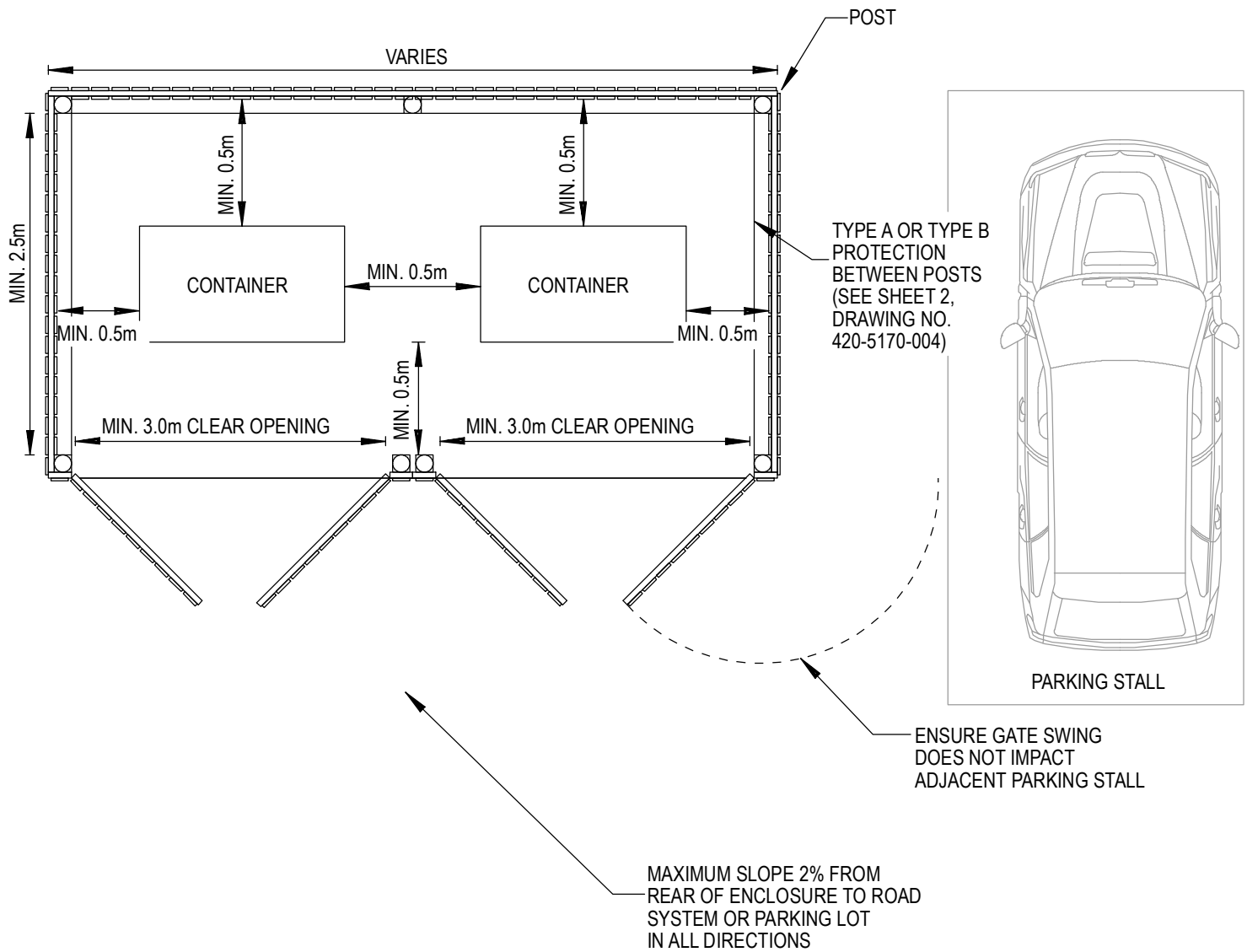
EXAMPLES OF PROTECTION DETAILS

Sheet: 2	Revision: 2
Scale: Not to Scale	
Drawing No.: 420-5170-004	
Date: May 24, 2017	



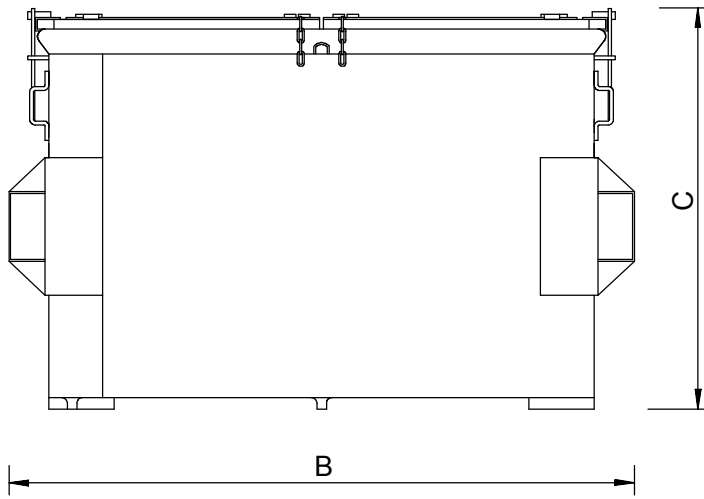
NOTES

1. THE EXTERIOR FINISH OF THE WASTE & RECYCLING STORAGE FACILITY MUST ADHERE TO THE LAND USE BYLAW. CONTACT PLANNING FOR FURTHER DETAILS.
2. ENCLOSURES WITH GATES SHALL BE EQUIPPED WITH A POSITIVE LATCH MECHANISM TO HOLD GATES OPEN AND CLOSED.
3. ALL CONCRETE AND ASPHALTIC PAVEMENT (PADS, APRONS, APPROACH AREAS AND PARKING STRUCTURES) WITHIN THE COLLECTION ROUTE, COLLECTION AREA AND STAGING AREAS MUST HAVE SUFFICIENT CAPACITY TO SUPPORT A MINIMUM WEIGHT OF A 25,000 KG COLLECTION VEHICLE.

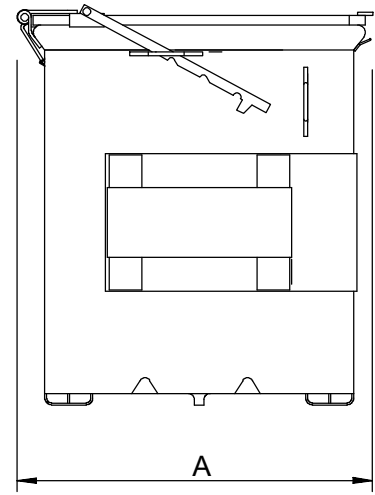


NOTES

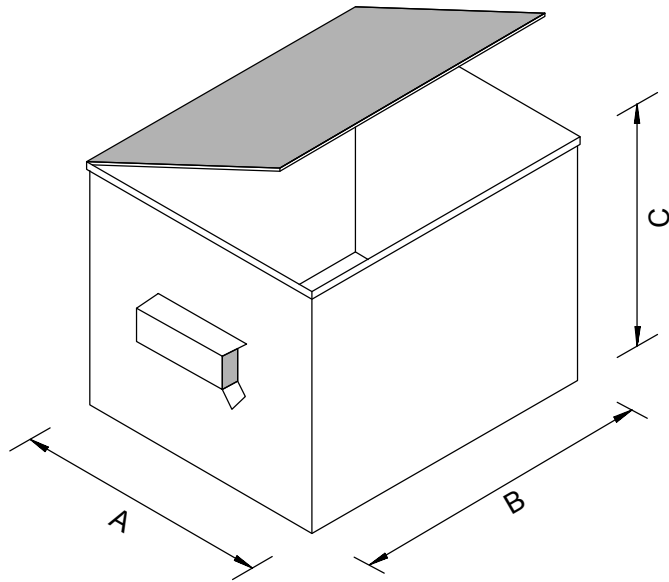
1. THE EXTERIOR FINISH OF THE WASTE & RECYCLING STORAGE FACILITY MUST ADHERE TO THE LAND USE BYLAW. CONTACT PLANNING FOR FURTHER DETAILS.
2. ENCLOSURES WITH GATES SHALL BE EQUIPPED WITH A POSITIVE LATCH MECHANISM TO HOLD GATES OPEN AND CLOSED.
3. ALL CONCRETE AND ASPHALTIC PAVEMENT (PADS, APRONS, APPROACH AREAS AND PARKING STRUCTURES) WITHIN THE COLLECTION ROUTE, COLLECTION AREA AND STAGING AREAS MUST HAVE SUFFICIENT CAPACITY TO SUPPORT A MINIMUM WEIGHT OF A 25,000 KG COLLECTION VEHICLE.



Top View



Side View



Size of Container / Roll-off	A	B	C
	Depth	Width with Sleeves	Height
2 yd ³ / 1.5m ³	40"	80"	38"
	1.02m	2.03m	0.97m
	3' 4"	6' 8"	3' 2"
3 yd ³ / 2.3m ³	44"	80"	48"
	1.12m	2.03m	1.22m
	3' 8"	6' 8"	4' 0"
4 yd ³ / 3.1m ³	56"	80"	60"
	1.42m	2.03m	1.52m
	4' 8"	6' 8"	5' 0"
6 yd ³ / 4.6m ³	66"	80"	72"
	1.68m	2.03m	1.83m
	5' 6"	6' 8"	6' 0"
8 yd ³ / 6.1m ³	66"	80"	80"
	1.68m	2.03m	2.03m
	5' 6"	6' 8"	6' 8"

